

Electro-Pneumatic Regulator

- DeviceNet Compatible

ITV20*0-X80

ITV30*0-X12

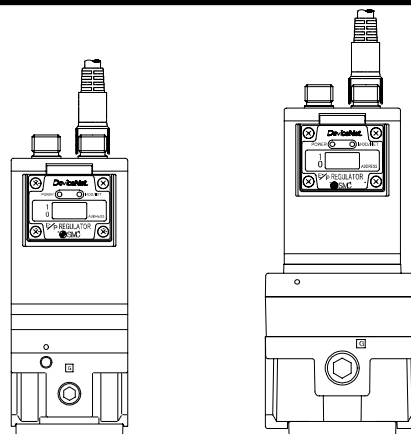
SMC CORPORATION

1-16-4 Shimbashi, Minato-ku
Tokyo 105-0004, JAPAN

URL: <http://www.smcworld.com>

Feature 1: DeviceNet Compatible

DeviceNet™
CONFORMANCE TESTED



ITV20*0-X80

ITV30*0-X12

Specifications

Model	ITV2010-X80 ITV3010-X12	ITV2030-X80 ITV3030-X12	ITV2050-X80 ITV3050-X12
Supply pressure	(Set pressure + 0.1MPa) to 1MPa (ITV2010-X80; ITV3010-X12: Maximum supply pressure 0.2MPa)		
Regulating pressure range	0.005 to 0.1MPa	0.005 to 0.5MPa	0.005 to 0.9MPa
Power supply voltage	24VDC ± 10%		
Current consumption	Maximum 120mA (See note 1)		
Input signal	Directs with 12 bit (4096 resolution) for set pressure of 0 to 100% (See note 2)		
Output signal	Responds with 12bit (4096 resolution) for output pressure of 0 to 100% (See note 3)		
Linearity	± 1%F.S. or less		
Hysteresis	0.5%F.S. or less		
Repeatability	± 0.5%F.S. or less		
Sensitivity	0.2%F.S. or less		
Ambient and fluid temperature	0 to 50°C (With no condensation)		
Enclosure	IP65 equivalent		
Weight	ITV20*0	Approx. 400g (Without accessory)	
	ITV30*0	Approx. 670g (Without accessory)	

Note 1: Not including consumption current of DeviceNet communication line.

Note 2: Given that maximum setting pressure is 100%, select setting pressure with resolution 4096.

Note 3: Given that maximum setting pressure is 100%, with resolution 4096.

It is possible to monitor output pressure on the secondary side.

How to Order

ITV20 **1** 0-40 **2** **S** -X80
 ITV30 **1** 0-40 **2** **S** -X12

Pressure range

1	0.005 to 0.1MPa
3	0.005 to 0.5MPa
5	0.005 to 0.9MPa

Thread type

Nil	Rc
N	NPT
T	NPTF
F	G

Port size

2	1/4
3	3/8
4	1/2

Note 5) Connecting port size 1/2 is only applicable to Series ITV3000

Cable connector type

S	Straight type 3m (Note 4)
N	Without cable connector

Note 4) Power supply cable only (1pc.)

Accessory (Bracket)

Nil	Without bracket
B	Flat type bracket
C	L type bracket

Special order

Ordering method for straight type cable connector, 3 m (power supply cable) only

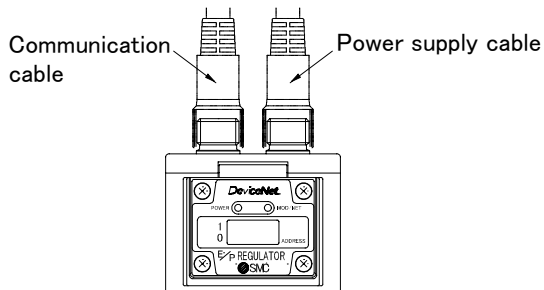
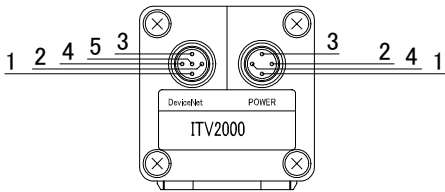
Model: TM-4DSX3HG4

Supplement 1: If another length of cable is required, please consult with your SMC sales representative.

Supplement 2: Shield type micro connector should be used for communication cable. (Please order separately.)

Wiring and communication specifications

Connection pin No.



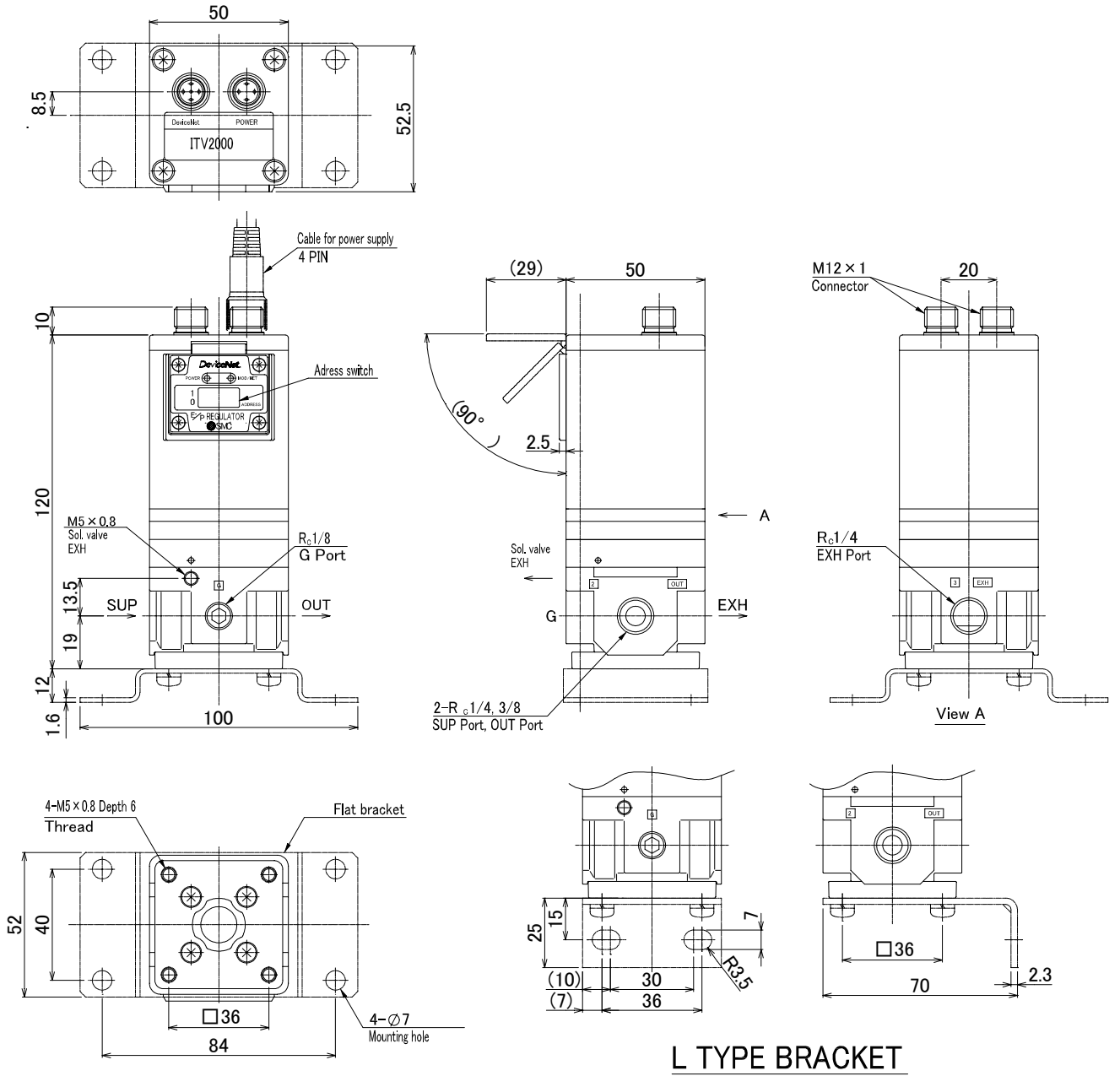
Communication cable			
No.	Wire color	Symbol	Function
1	Bare wire line	Drain	Drain/Shield line
2	Red	V ⁺	Power supply for communication (+)
3	Black	V ⁻	Power supply for communication (-)
4	White	CAN_H	Signal line
5	Blue	CAN_L	Signal line

Power supply cable (Lead wire with connector)		
No.	Wire color	Function
1	Brown	Power supply (+)
2	White	N.C.
3	Blue	GND (-)
4	Black	N.C.

Communication specifications	
Protocol	DeviceNet Ver. 2.0
Transmission speed	125k, 250k, 500kBPS
Slave type	Group 2 only
Device type	00h (Generic Device)
Conditioning of connection	EXPLICIT POLLED I/O

Dimensions

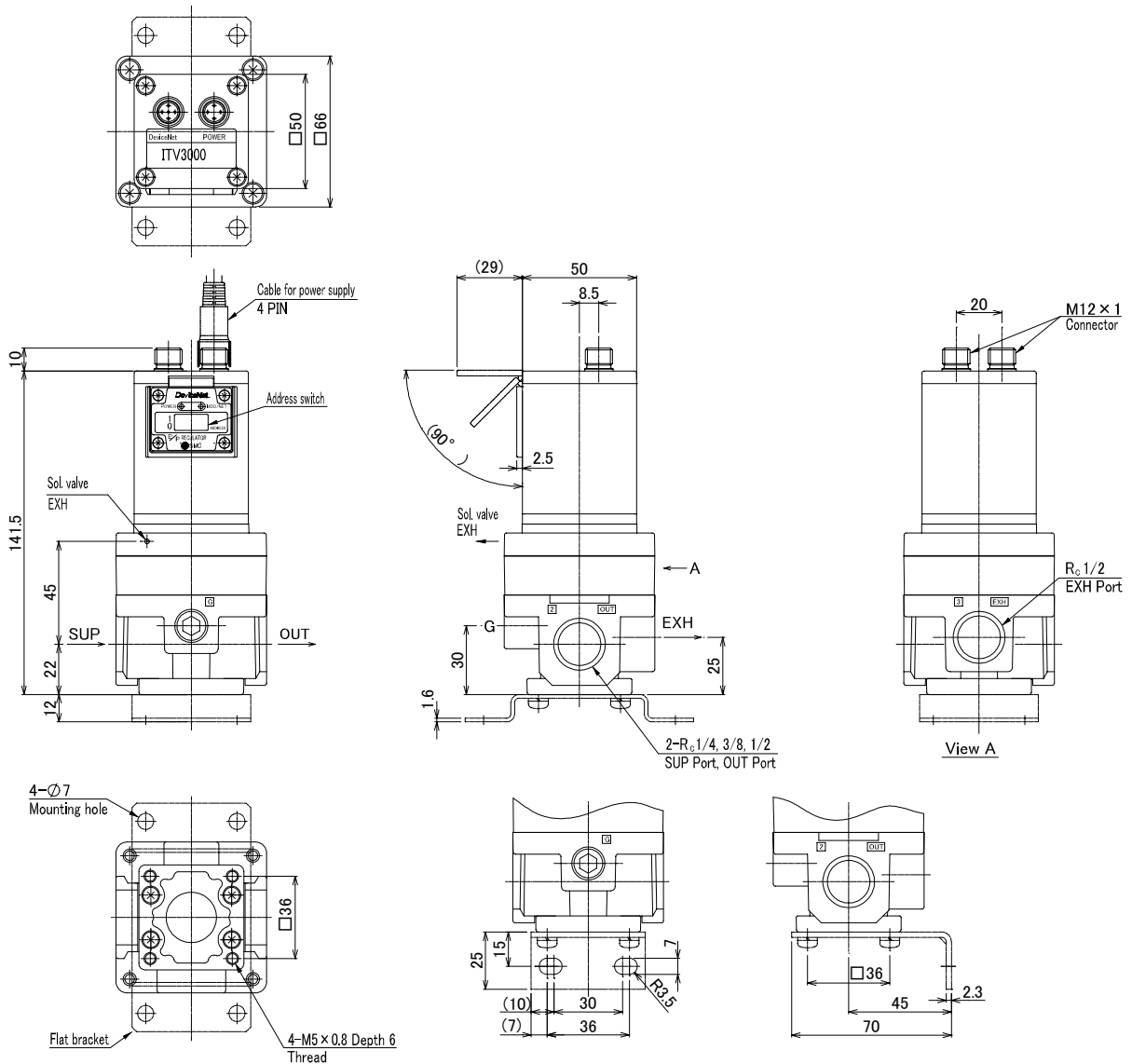
ITV20*0-X80



L TYPE BRACKET

Dimensions

ITV30*0-X12



L TYPE BRACKET

[Notes on the Electro-Pneumatic Regulator]

Note 1: In case of straight type with 3m cable connector, only 1 power supply cable is equipped. (Please order communication cable separately)

Note 2: To set an address, unscrew the 4 screws on the front and lift the cover.

Then proceed to set the address. (Tightening torque for screws: $0.8 \pm 0.2N \cdot m$)

Note 3: For details, please ask your SMC Sales Representative for an instruction manual.



Caution

To ensure the safest possible operation of this product, please be sure to read thoroughly the "Safety Instructions" in our "Best Pneumatics" general catalog before use.