

Rotary Gripper

(Changed starting point of rotation)

MRHQ20/25-X103

SMC CORPORATION
 1-16-4 Shimbashi, Minato-ku
 Tokyo 105-0004, JAPAN
 URL: <http://www.smcworld.com>

Feature 1 : Starting point of rotation is rotated 90° in relation to the piping port surface.

- Mounting flexibility is improved by changing the rotation starting point.

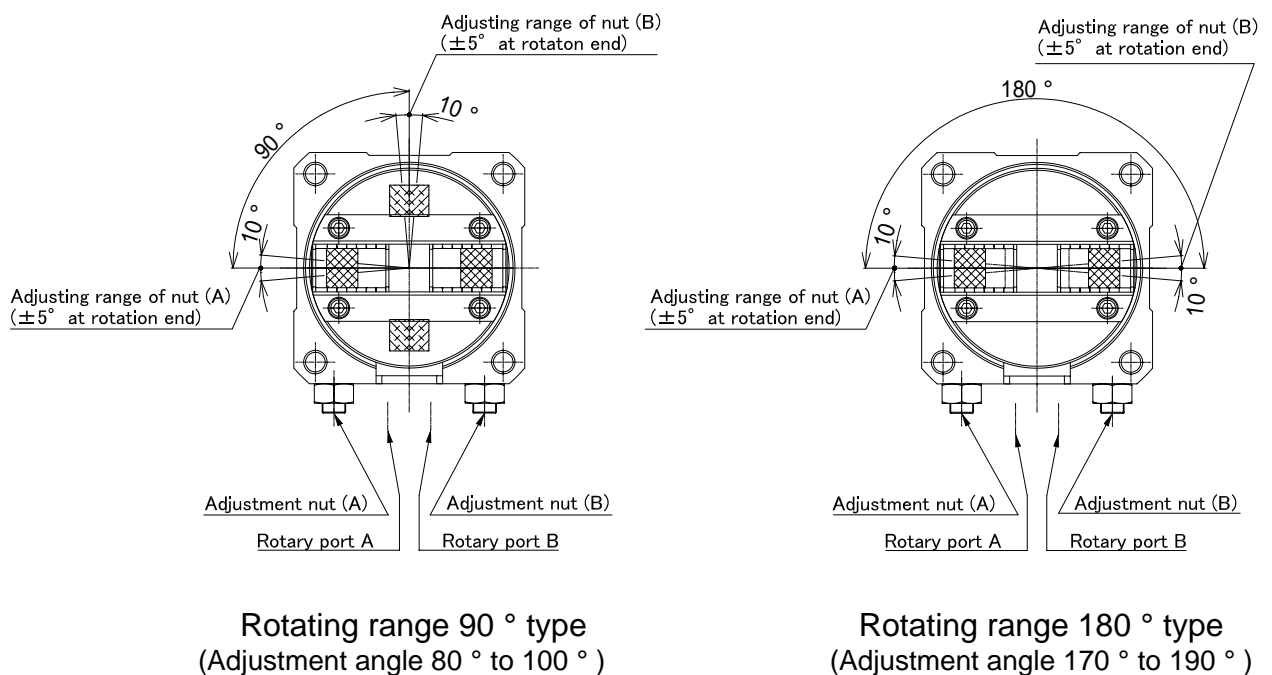
Feature 2: Additional gripper bore sizes of $\varnothing 20$ and 25 now released.

- $\varnothing 10$ and 16 models have already been released.

Comparison with Standard Product :

- 1) The starting point of rotation is changed 90° in relation to the piping port surface.
 - Specifications and dimensions are the same as the standard product (MRHQ) except for change of the starting point of rotation. (See Note 1.)

Gripper rotating range



Supplement 1. The positions of the fingers shown in the above cross-hatching (see area) indicate the initial condition, pressurized from port B.

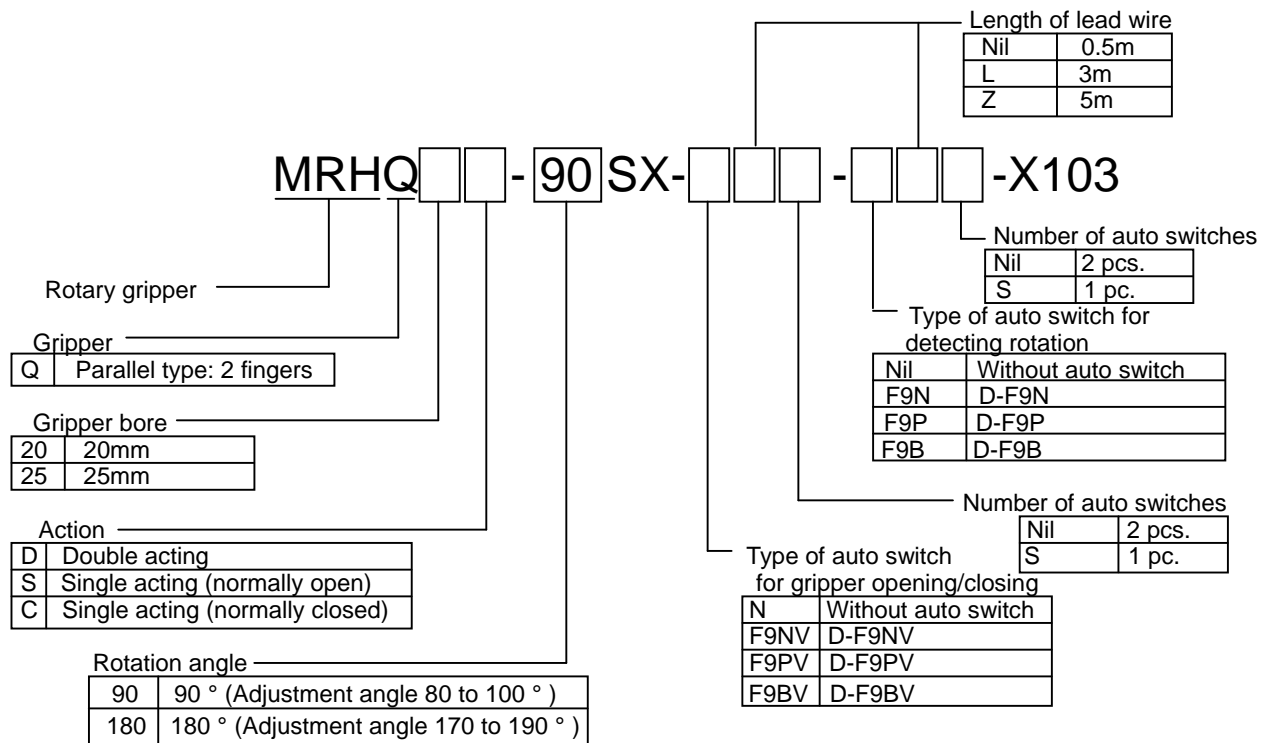
Supplement 2. To adjust rotation $\pm 5^\circ$ at each end, turn the adjusting bolt about one and a half turns clockwise or counterclockwise.
 (Full 10° of adjustment (-5° to $+5^\circ$) is about three turns.)

Specifications

Model		MRHQ20	MRHQ25
Fluid		Air	
Operating pressure	Rotary section		0.25 to 1.0MPa
	Gripper section	Double acting	0.1 to 0.7MPa
		Single acting	0.25 to 0.7MPa
Rotation angle		90 ° , 180 ° (Adjusting range: ± 5 ° at each end of rotation)	
Gripper action		Double acting, Single acting	
Ambient and fluid temperature		5 to 60	
Adjustable rotation time (See Supplement 3.)		0.07 to 0.3 s/90 °	
Allowable kinetic energy		0.034J	0.074J
Auto switch	Rotary section		Solid state switch (2 wire, 3 wire)
	Gripper section		Solid state switch (2 wire, 3 wire)

Supplement 3) Operate within the speed adjustment range, as speed control exceeding the upper limit may cause sticking or failure to operate.

How to Order



Note 1) Refer to our catalog, Series MRHQ (CAT.ES20-133), regarding common information such as specifications and dimensions of the product.

⚠ Caution
 For safe operation of this product, before using it, be sure to carefully read "Safety Instructions" indicated in our "Best Pneumatics" general catalog.