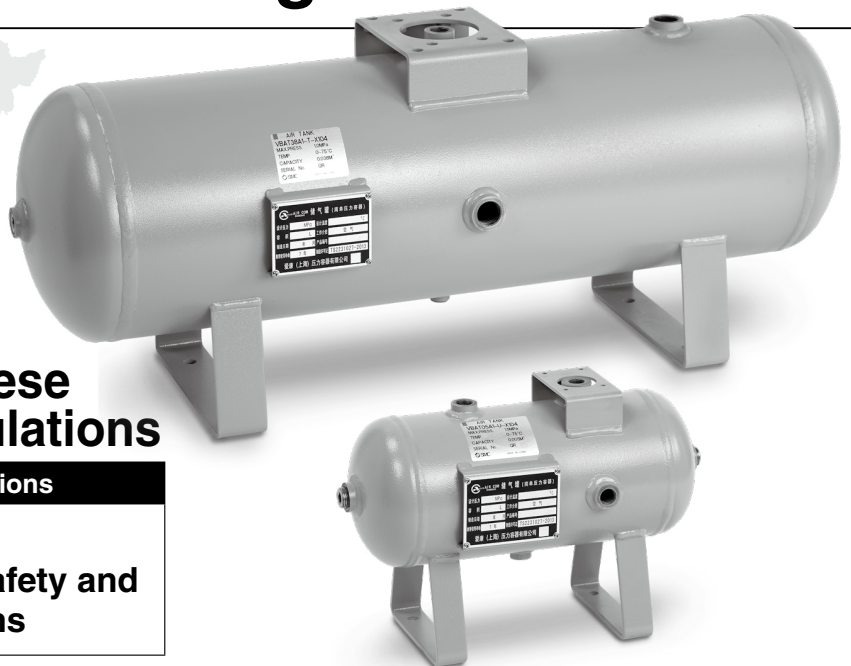
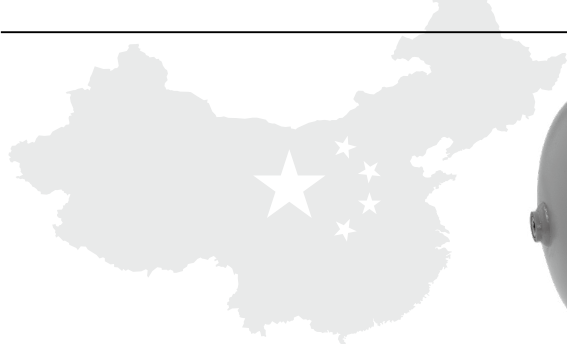


Chinese Pressure Vessel Regulations Compliant Product Air Tank for Booster Regulator



Compliant with Chinese pressure vessel regulations

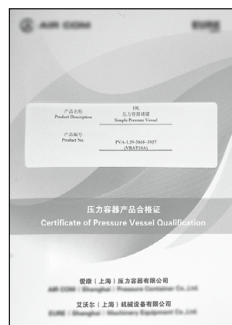
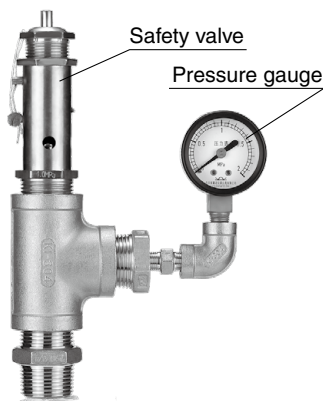
Safety and Technical Regulations

**TSG R0003-2007
Simple Pressure Vessels Safety and
Technical Regulations**

Regulations compliant product

(Safety Technical Supervision Regulations for Safety Valves)
TSG ZF001-2006

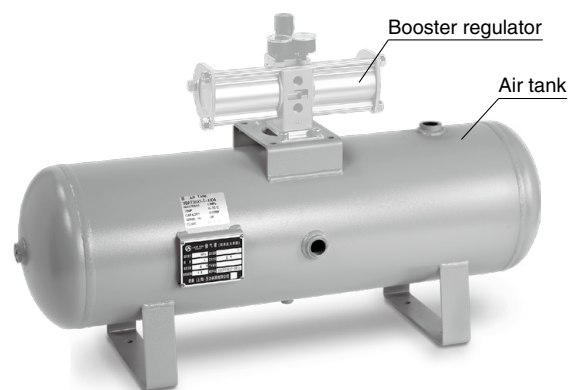
Safety valve/Pressure gauge set and
product certificate are included.



Product certificate

Four kinds of tank capacities are available:
5 L/10 L/22 L/38 L (Carbon steel)

Compact connections are possible
with booster regulators.



Compatible
with all series

Overseas Standards Variations*

Law	Main country/region	Details	Tank capacity
CE Marking Simple Pressure Vessels Directive	EU	Declaration of Conformity attached	5 L/10 L/22 L/38 L
Occupational Safety and Health Act	South Korea	Compliant product safety certificate attached	5 L/10 L/22 L/38 L

* Refer to Best Pneumatics No. 5 for details.

VBAT-X104

How to Order

VBAT 05 A1 - U - X104

Tank capacity

Symbol	Internal capacity
05	5 L
10	10 L
20	22 L
38	38 L

• Chinese pressure vessel regulations compliant product

• Safety valve/Pressure gauge set

Symbol	Applicable model
U	VBAT05A1, VBAT10A1
T	VBAT20A1, VBAT38A1

Note) When a drain valve is required, please order it separately.
Drain valve part no.: VBAT-V1

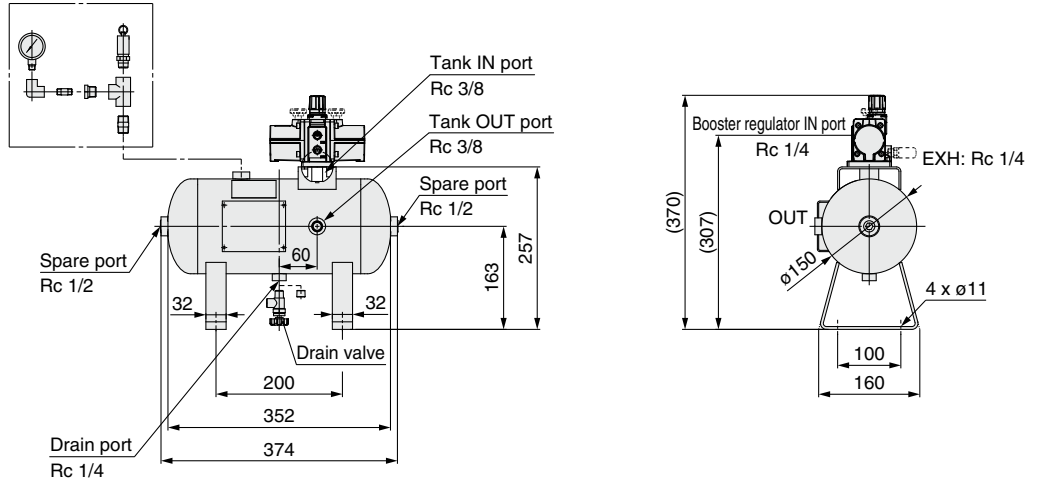
Specifications

Series	VBAT05A1	VBAT10A1	VBAT20A1	VBAT38A1
Tank capacity	5 L	10 L	22 L	38 L
Max. operating pressure	1.5 MPa		1.0 MPa	
Ambient and fluid temperature	0 to 75°C			
Weight	6.6 kg	11.5 kg	15.0 kg	26.0 kg
Material	Carbon steel			
Paint	Outside: Silver gray Inside: Phosphate coated treatment			
Included parts	<ul style="list-style-type: none"> • Safety valve/Pressure gauge set: Safety valve, Pressure gauge, Piping for tank connections • Accessories: O-ring, Drain port plug, VBA connection thread (4 pcs.), Anchor bolt/nut (4 pcs.: only 22 L/38 L) • Product certificates: Product certificate, Product safety performance supervision test certificate, Product weight certificate, Manufacture license, Product manual, Completion drawing • Operation manual 			

Dimensions

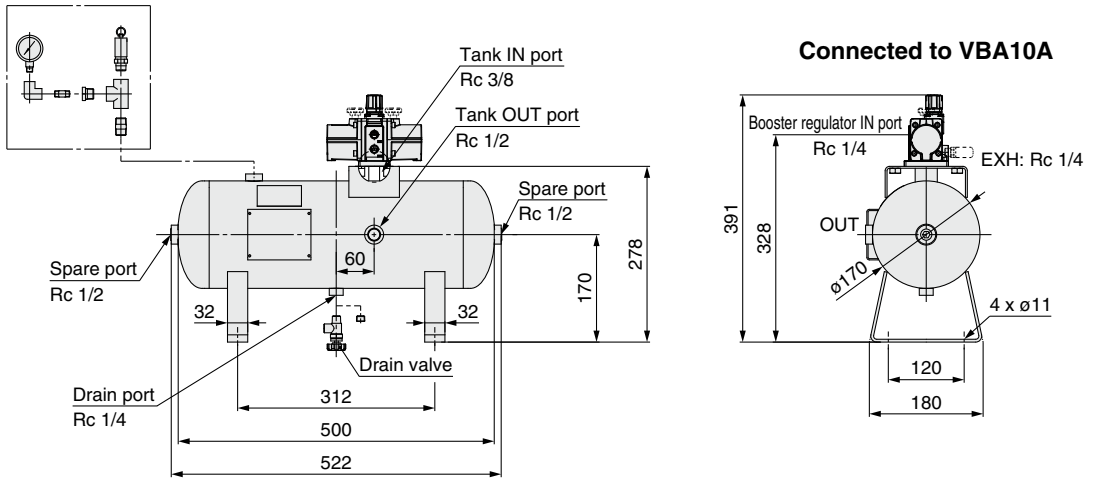
VBAT05A1-U-X104

**Safety valve/Pressure gauge set
(Supplied with product)**

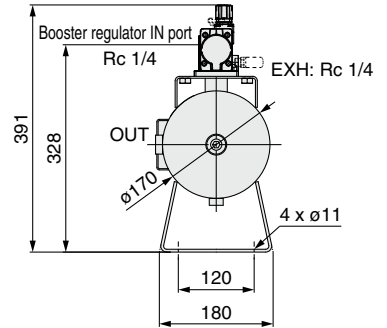


VBAT10A1-U-X104

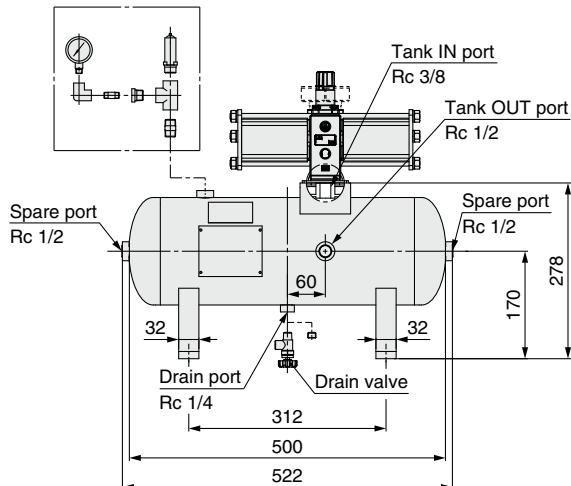
**Safety valve/Pressure gauge set
(Supplied with product)**



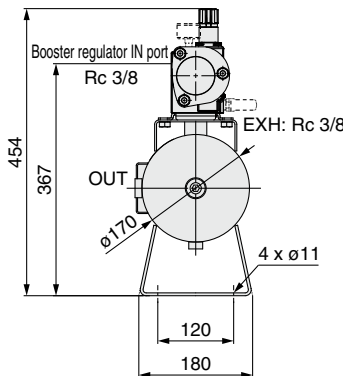
Connected to VBA10A



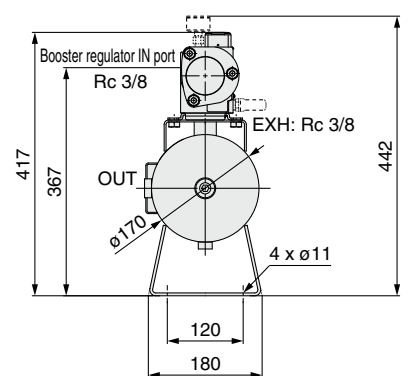
**Safety valve/
Pressure gauge set
(Supplied with product)**



Connected to VBA20A



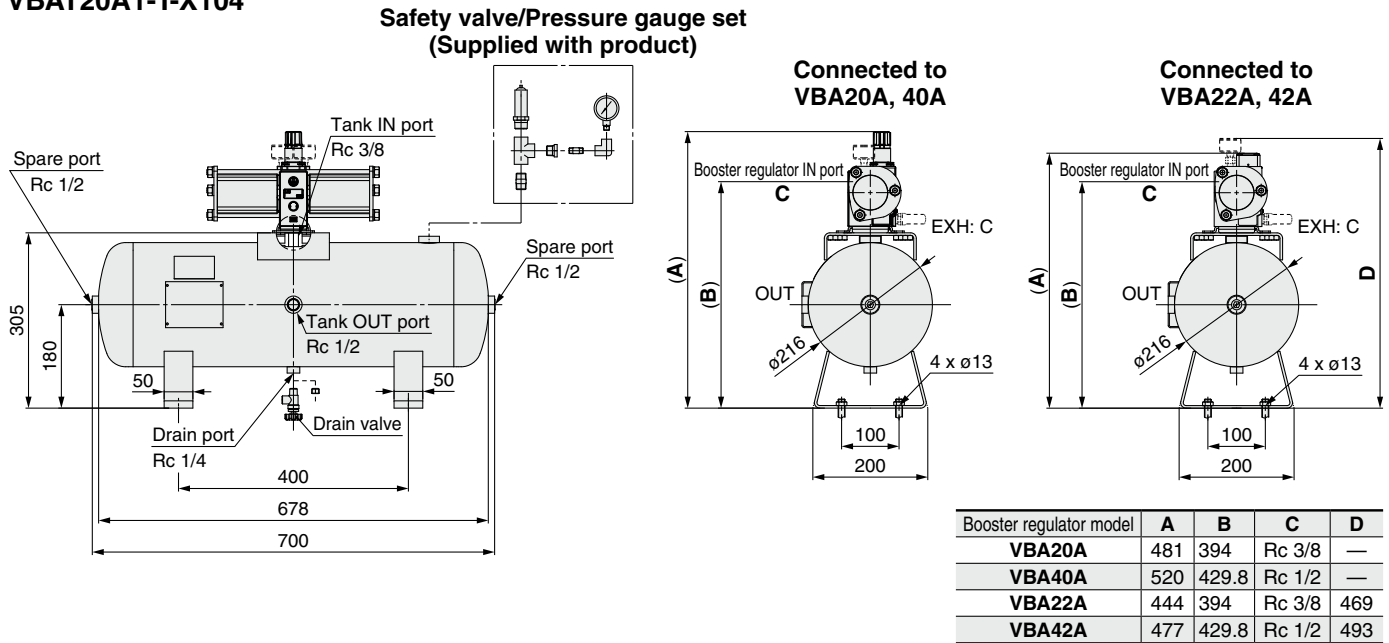
Connected to VBA22A



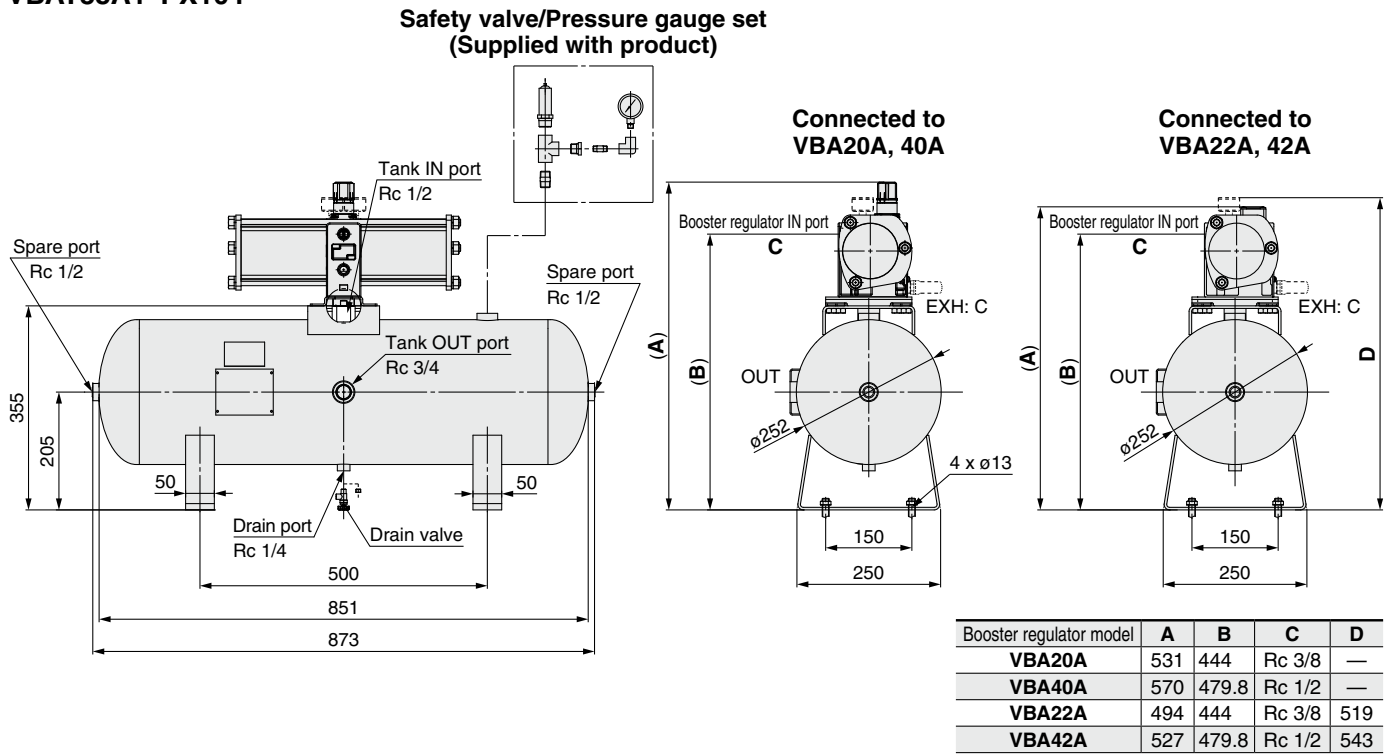
VBAT-X104

Dimensions

VBAT20A1-T-X104



VBAT38A1-T-X104



⚠ Caution

Before using the product, it is necessary to get the approval from the government offices in the relevant region in accord with the Chinese Pressure Vessel Act. For items details, refer to the contents of Regulations on Safety Supervision of Special Equipment in China.

⚠ To ensure the safest possible operation of this product, please be sure to thoroughly read the "Safety Instructions" in our "Best Pneumatics" catalog before use.

SMC Corporation

Akihabara UDX 15F,
4-14-1, Sotokanda, Chiyoda-ku, Tokyo 101-0021, JAPAN
Phone: 03-5207-8249 Fax: 03-5298-5362
<http://www.smcworld.com>
© 2013 SMC Corporation All Rights Reserved

Specifications are subject to change without prior notice and any obligation on the part of the manufacturer.