

! Contact our sales office for delivery dates and prices as this is a special model.

Specialized Product

P.G. Point to Group information

Compact 5-Port Solenoid Valve Plug-in Type

JSY3000/5000 Series

Spring Return Type **JSY(3, 5)100□-5□□-X350** (Internal pilot)

JSY(3, 5)100R□-5□□-X360 (External pilot)

Detent Type **JSY(3, 5)200□□-5□□-X25**

Features

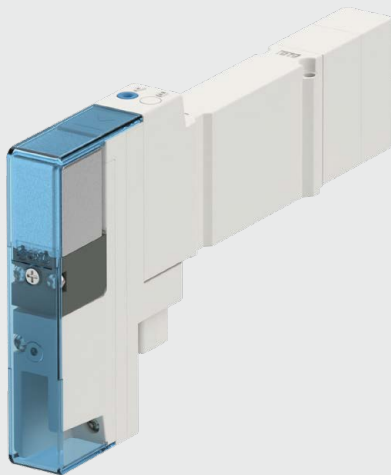
Recommended SMC product validated according to ISO 13849

- **Spring return type**

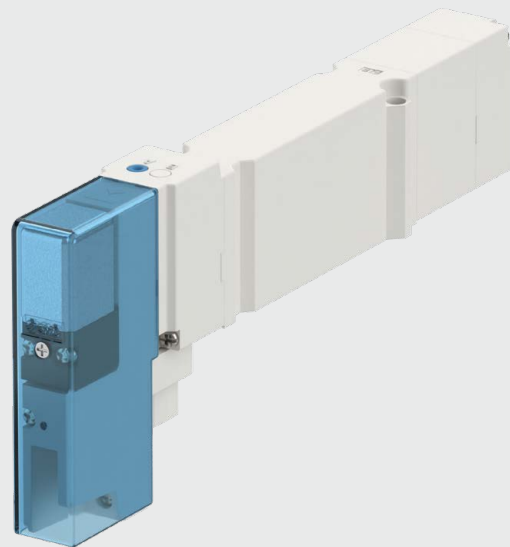
The spool valve returns to the OFF position via the spring when it is not pressurized.

- **Detent type**

The detent structure mechanically maintains the spool valve position.



JSY3000



JSY5000



Caution

To ensure the safest possible operation of this product, please be sure to thoroughly read the "Safety Instructions" in the Web Catalog before use.

SMC Corporation URL: <https://www.smcworld.com>

©2025 SMC Corporation All Rights Reserved



SP241X-002E
P: DR